



Suorin Trio 85

Please save this manual and read it fully before you start using this product as it contains important information.

User Manual

V2020-10

INSTRUCTIONS FOR USE AND STORAGE OF THE PRODUCT



Length	122mm
Width	35mm
Height	29mm
Weight	99g
<small>(18650 battery not included)</small>	

SPECIFICATIONS

Coil Resistance	Tri Single Mesh 0.4 Ω , 50-60W (Pre-installed)
	Tri Triple Mesh 0.2 Ω , 65-75W (Pre-installed)
	Tri Single Mesh 0.2 Ω , 55-65W (Sold separately)
	Tri Single Mesh 0.6 Ω , 28-38W (Sold separately)
	Tri Single Coil RBA (RBA Mode, Sold separately)

Pod Capacity	5.0ml / 2ml (TPD)
--------------	---------------------

Max Output Current	25A
--------------------	-----

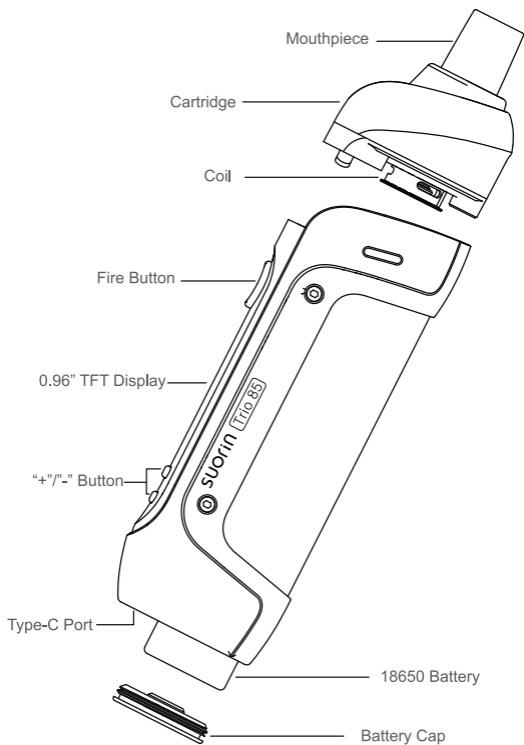
Max Output Wattage	85W
--------------------	-----

Charging Current	1.0A
------------------	------

Charging Time	2 Hours (charge with Suorin Trio 85)
---------------	--

Material	Metal+Plastic+Ergonomic Leather
----------	---------------------------------

COMPONENTS



OPERATION GUIDE

How to set up the device

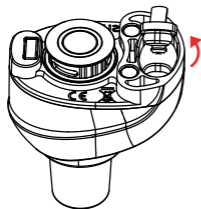
Step 1

Insert the coil into the cartridge



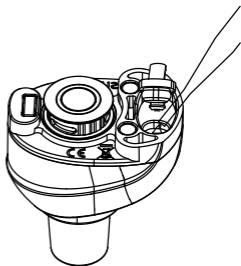
Step 2

Open the silicone plug



Step 3

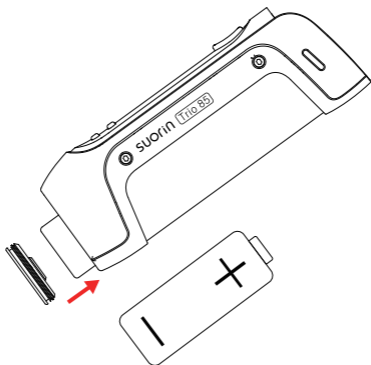
Fill the e-liquid in



Step 4

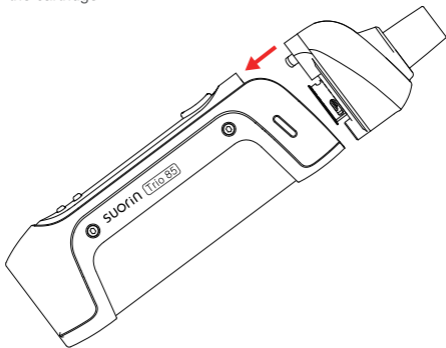
Install battery

1. Open the battery cover
2. Place a single 18650 battery into the device according to the correct directions
3. Close the battery cap.



Step 5

Install the cartridge



POWER ON/OFF

Press the fire button 5 times continuously in 2 seconds to turn on/off the device. The screen displays the on/off page, and then enters the main screen/off state.

WATTAGE ADJUSTMENT

In the unlocked state, press the "+" or "-" to increase or decrease the wattage.

Wattage Locked/Unlocked

Press the fire button 3 times continuously to lock or unlock the wattage. The screen displays "WATTAGE LOCKED" or "WATTAGE UNLOCKED" correspondingly.

AUTO MODE/RBA MODE

Press the fire button and "-" simultaneously to switch between RBA mode and AUTO mode. The color of wattage and mode will change correspondingly. The single mesh coil and triple mesh coil should be used in the AUTO Mode.

CHECK PUFF DATA


Press the "+" and "-" simultaneously to enter the Puff Data mode. Press "+" or "-" to view the puff data of recent 2 weeks. Press fire button for 5 seconds to exit, or wait for 5 seconds to exit automatically.

CLEAR PUFF DATA

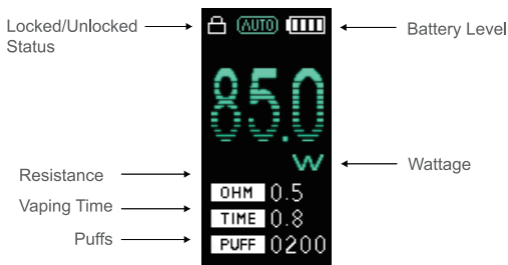
In the puff data view state, press fire button and "+" simultaneously. When "Puff Clear Data" appears, press "+" or "-" for "Yes" or "No", then press fire button for 3 seconds to confirm the selection.

CHARGING

Plug in the power supply, then the charging status will be shown on the screen.

 Don't use the product when charging. Please use certified adapter and 18650 battery.

SCREEN INSTRUCTION



Prompts	Status
Time Over	When vaping time exceeds 8 seconds.
No Atomizer	When no pod is installed.
Ohms Too Low	When resistance is lower than 0.05Ω. The screen will display the current resistance as well.
Bat Low	When the battery voltage is lower than 3.3V (standby status)/2.9V(vaping status).

NOTICE



1. Let the cartridge stand up-straight for 5-8 minutes to make sure the cotton is fully saturated.
2. This product is only available for Suorin Trio 85 cartridges.
3. Dispose of the contents/container in accordance with local laws.
4. It is not recommended for minors and non-smokers.

TROUBLESHOOTING

1. If the device's battery cannot be charged, check that the charger cord is fully connected to the Type-C port.
2. If aerosol is not emitted normally when puffing on the device:
 - a. Confirm that the cartridge is properly in place and tightly connected to the device.
 - b. Confirm the device is under "on" state.
 - c. Confirm that sufficient e-liquid remains in the cartridge. If not, refill the cartridge.
 - d. Confirm that adequate charge remains in the battery. If not, please charge as soon as possible. If the product still does not work, email our customer service center at info@suorin.com for further assistance.

CONTRA-INDICATIONS:

When the product is used with e-liquids, it's not recommended for

- Pregnant women, those who suspect they may be pregnant or plans to become pregnant in the near-term or are breastfeeding
- People who are assuming nicotine through other devices or safeguards designed to detox from nicotine as plasters, pills, chewing gum
- People in interdiction condition or disabled and mentally incapacitated temporarily or permanently

WARNINGS FOR SPECIFIC RISK GROUPS

When the product is used with e-liquids, call your doctor before using this product if:

- You have any medical condition which includes, but is not limited to, heart failure or other heart diseases, diabetes, high blood pressure, asthma, kidney or liver disease, psychiatric disorders
- You suffer from gastritis, gastric ulcer, duodenal ulcer, gastro-esophageal reflux disease
- You are allergic to one or more label ingredients
- You are using any medication that may interact with nicotine
- You suffer from pre-existing disease that in the advice of your doctor may be a contraindication
- You have any doubt on the use of the product

POSSIBLE ADVERSE EFFECTS

When the product is used with e-liquids: After skin/eye contact rinse with plenty of water and contact your doctor if irritation reactions will appear. Possible effects of the nicotine consumption are: Coughing, headache, irritation of the Mouth and throat, nasal congestion, aphthous ulcers, sore throat, anxiety, insomnia, depression, discomfort, nausea, dry mouth, heartburn, aching joints, diarrhea, meteorism, allergy (skin eruption, shortness of breath, laboured breath, tightness of the chest, swelling of the face, tongue and lips), feeling thirsty, hiccups, chest pain, fever, irregular or increased heart beat, dizziness, sleepiness. Possible adverse effects associated with overdose: Nausea, salivation, abdominal pain, diarrhea, sweating, headache, dizziness, hearing problems, weakness, palpitation.

ADDICTIVENESS AND TOXICITY

When the product is used with e-liquids containing nicotine: Nicotine is a highly toxic addictive substance.

Shenzhen Youme Information Technology Co.,Ltd.

E-mail:info@suorin.com

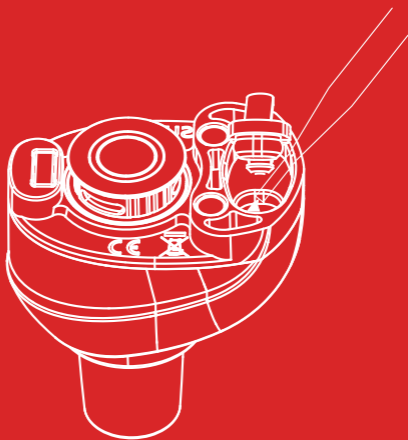
www.suorin.com

Add:201, Building B, Dianlian technology building, Nanhuan Avenue,
Mashantou Community, Matian street, Guangming District, Shenzhen





CAUTION



- ⦿ Please let the cartridge stand for 5-8 minutes after filling e-liquid. Make sure the cotton is fully saturated.
- ⦿ It is recommended to change a new coil after filling e-liquid for 5-8 times or within 7 days after e-liquid filling.